

Brake cylinder protection

KAWASAKI KLR 650

US-Model from 2008

Item-No.: 420.206-1 black

Side cases

Top cases

luggage frames

Lock it system

Softbags

Aluminium luggage

Leather luggage

Protection bars

Center stands

Chopper parts

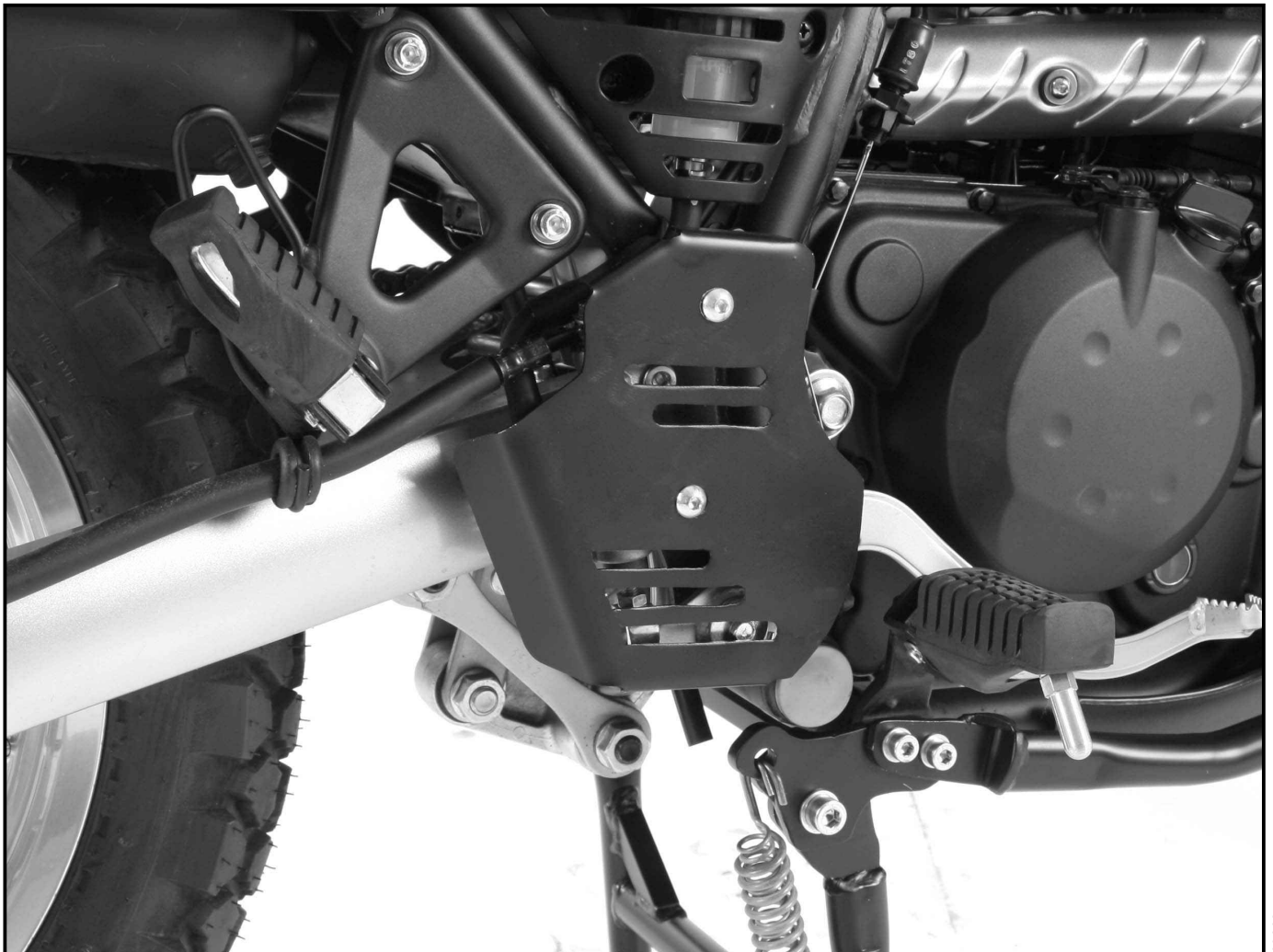
Accessories



Assembling instructions

The kit includes the following parts:

Quant	item no.	description
1	700007667	protection plate, black
1	150.886	filister head screw M8x40
1	150.969	filister head screw M8x60
1	151.066	alu spacer Ø15xØ9x30mm
1	151.340	alu spacer Ø15xØ9x13mm
2	150.810	washers Ø8,4



Brake cylinder protection

KAWASAKI KLR 650

US-Model from 2008

Item-No.: 420.206-1 black

Side cases

Top cases

luggage frames

Lock it system

Softbags

Aluminium luggage

Leather luggage

Protection bars

Center stands

Chopper parts

Accessories



Assembling instructions

Preparing:

Dismantle frame screw (below brake fluid container) and the bottom screw of the brake cylinder - original screws are obsolete.

Fastening of the protection plate:

Top: ①

Use filister head screws M8x60 with washer Ø8,4.

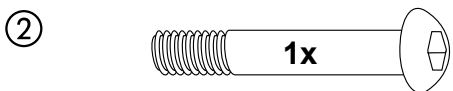
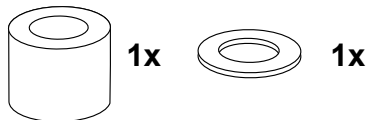
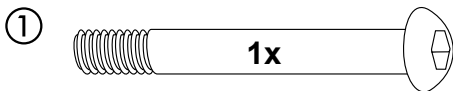
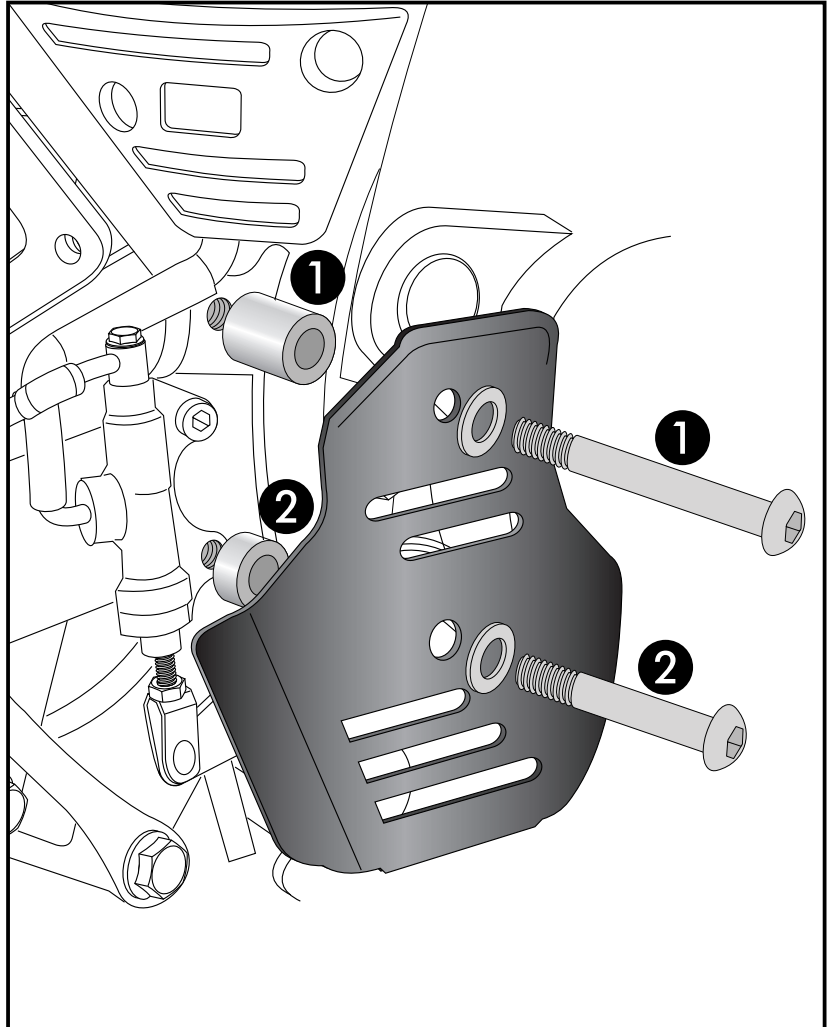
Sandwich alu spacers Ø15xØ9x30mm between frame and protection plate.

Bottom: ②

Use filister head screws M8x40 with washer Ø8,4.

Sandwich alu spacers Ø15xØ9x13mm between frame and protection plate.

1



**Control all screw connections after the assembling for tightness!
Please notice our enclosed service information.**

Also available:

Side carrier (Lock it System)

Rear rack

Center Stand

Engine guard

Item.-No.: 650.206 00 01

Item.-No.: 650.206 01 01

Item.-No.: 505.206

Item.-No.: 502.206



Hepco & Becker GmbH
An der Steinmauer 6
D-66955 Pirmasens
Germany

Tel.: +49 6331 - 1453 - 100
Fax: +49 6331 - 1453 - 120
eMail: vertrieb@hepco-becker.de
www.hepco-becker.de